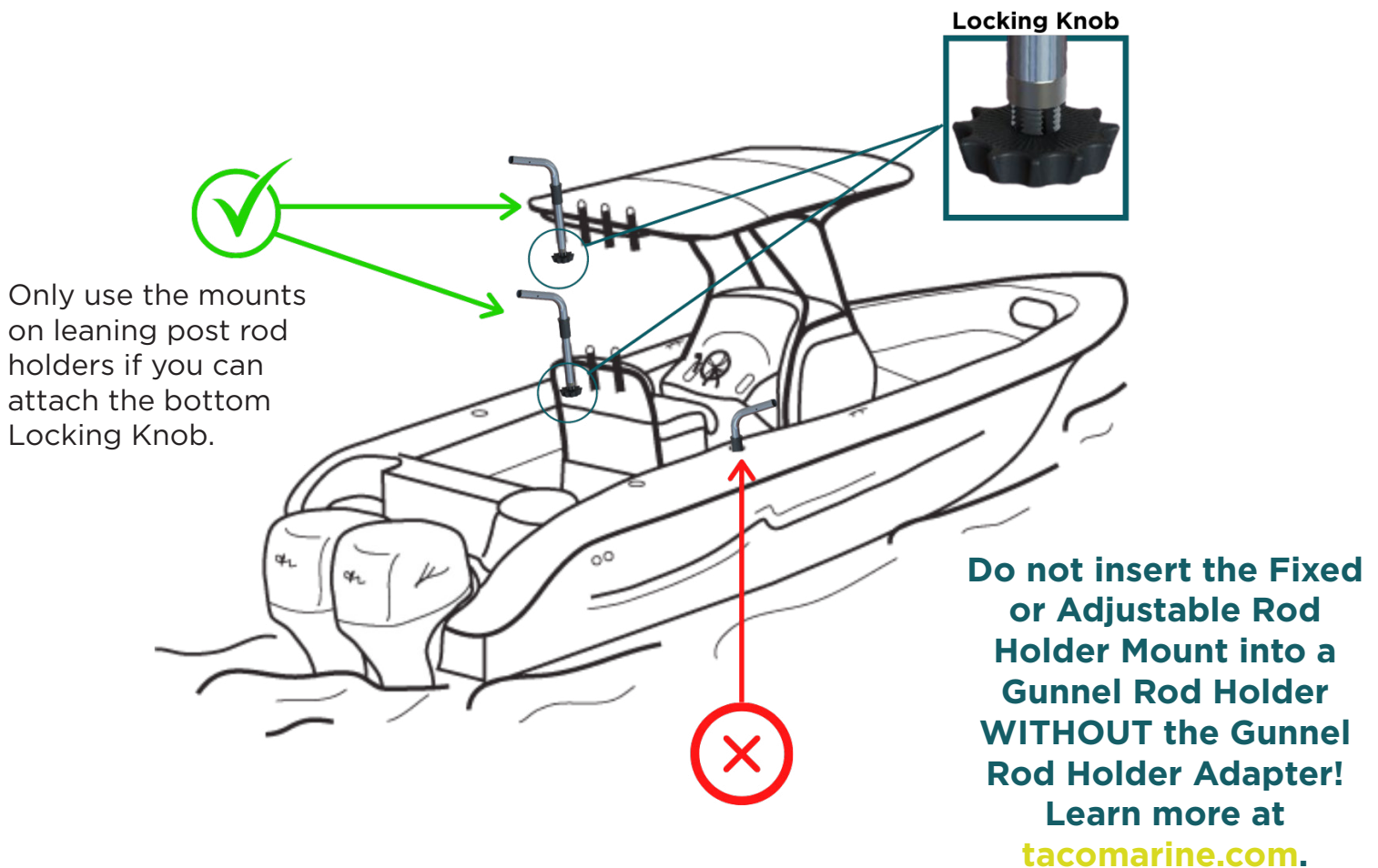


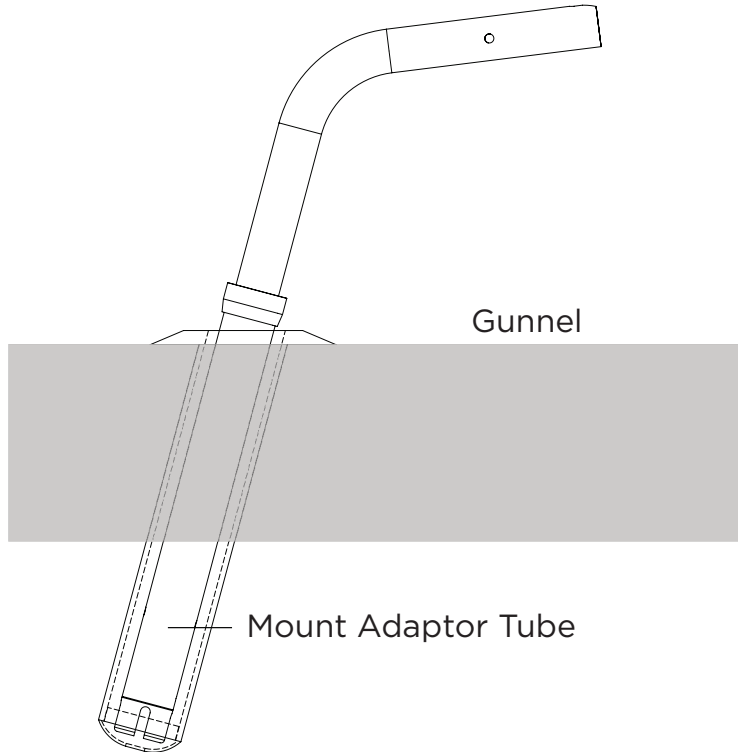
## Installation Instructions

**Warning: do not install the ShadeFin<sup>®</sup> Fixed or Adjustable Rod Holder Mount into a gunnel rod holder without the use of the supplied Gunnel Rod Holder Adaptor. This will damage the threads and void the warranty.**

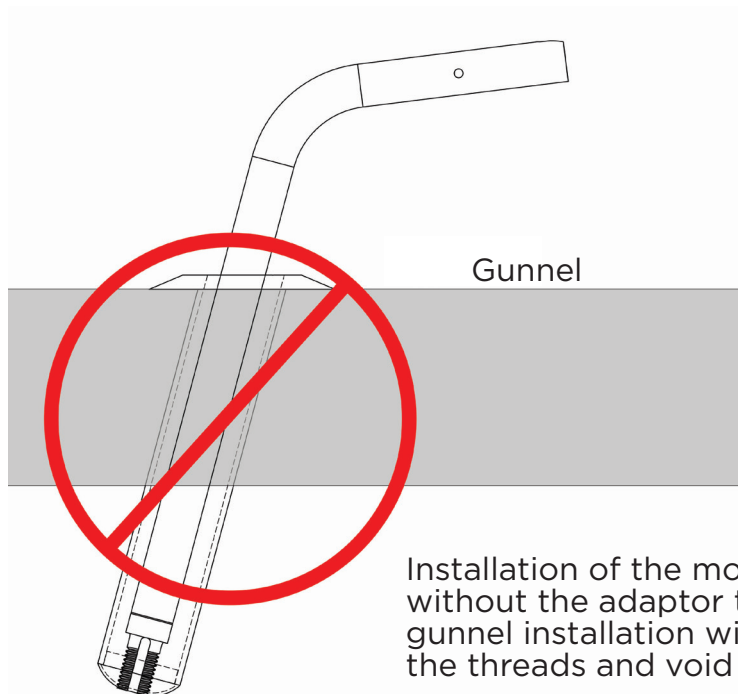
1. Install the Gunnel Rod Holder Adaptor into the gunnel rod holder. Please note: there are two possible positions based on if you want the ShadeFin<sup>®</sup> to face fore and aft or perpendicular to the gunnel.
2. Verify that the Adaptor is firmly seated in the locking pin in the base of the gunnel rod holder.
3. Slide the ShadeFin<sup>®</sup> Fixed or Adjustable Rod Holder Mount into the Adaptor and lightly twist to allow it to engage in the locking pin in the Adaptor.
4. Install the ShadeFin<sup>®</sup> into the Fixed or Adjustable Rod Holder Mount.
5. Please follow the instructions included with your ShadeFin<sup>®</sup> for proper operation and deployment.



## CORRECT GUNNEL ROD HOLDER INSTALLATION WITH ADAPTER



## INCORRECT GUNNEL ROD HOLDER INSTALLATION WITHOUT ADAPTER



Installation of the mount without the adaptor tube in a gunnel installation will damage the threads and void warranty